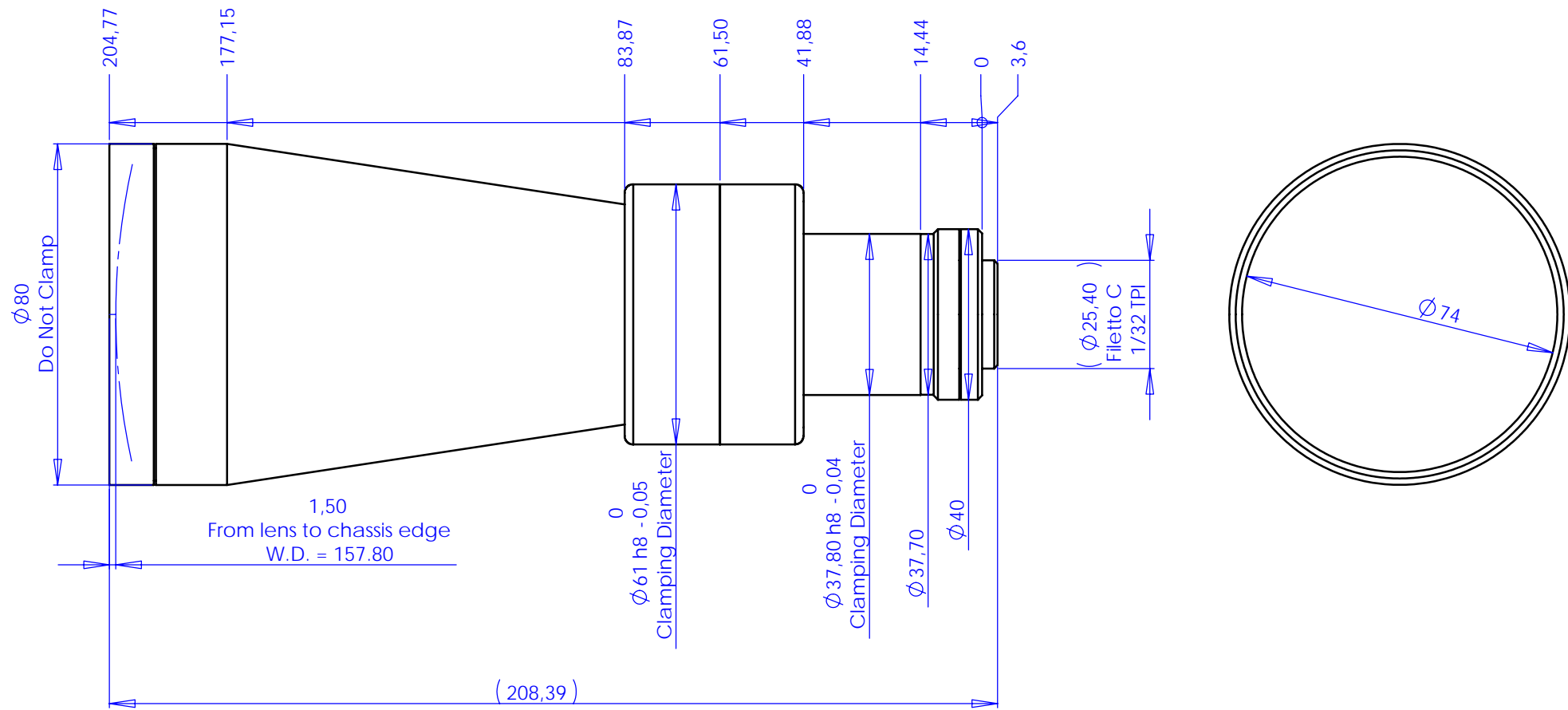


Rev No.	Description	Date	Name
D	Assieme TC1256 - Nuova Versione	25/03/06	A. Bnà



Material		Surface treatment		Material		Scale	1:1
Geometrical tolerance (ISO 2768-2)		Class	K	Undimensioned bevels	1x45°	Description	
Linear tolerance (ISO 2768-2)		Class	m	Undimensioned radii	R 0.5	Assembly	
0.5	>3-	>6-	>30-	>120	>400-	>1000	>2000
+3	6	30	120	+400	1000	+2000	+4000
±0.1	±0.1	±0.2	±0.3	±0.5	±0.8	±1.2	±2
Material		Date		Name		Drawing No.	
Surface treatment		Designed		A. Bnà		13671-0-D-TC1256	
Geometrical tolerance (ISO 2768-2)		Draw		A. Bnà		Sheet	
Linear tolerance (ISO 2768-2)		Checked		C. Sedazzari		1/1	
Material		Date		Name		Drawing No.	
Surface treatment		Designed		A. Bnà		13671-0-D-TC1256	
Geometrical tolerance (ISO 2768-2)		Draw		A. Bnà		Sheet	
Linear tolerance (ISO 2768-2)		Checked		C. Sedazzari		1/1	
Material		Date		Name		Drawing No.	
Surface treatment		Designed		A. Bnà		13671-0-D-TC1256	
Geometrical tolerance (ISO 2768-2)		Draw		A. Bnà		Sheet	
Linear tolerance (ISO 2768-2)		Checked		C. Sedazzari		1/1	